

**Water Cooling System**  
Nuclear Power Generation



## **Larsen & Toubro Construction Chennai, India Platinum Pipe Award Winner - Most Interesting Model**

For decades nuclear fusion has been hailed as the future energy source of humankind - a source of virtually unlimited green energy. Current projects are directed towards fusion research.

Larsen & Toubro Construction (L&T) was responsible for Detailed Design, Engineering, Procurement and Supply of a large cooling water system for a nuclear fusion project being constructed in France. The project specifically focuses on the Component Cooling Water System, which supplies about 100 loops.

**“All combinations were modeled in a single system & analyzed easily, where it is near impossible to do this by manual methods and get accurate results”**

M. Arunkumar built an AFT Fathom model of the system. The purpose of the hydraulic study was to determine the optimum pump head of cooling water pumps in order to satisfy outlet pressure requirements for the equipment being cooled. During steady-state hydraulic analysis using AFT Fathom, the cooling water pressure requirement had been met at every outlet except for one piece of equipment.

L&T investigated four options to reduce the cooling water pressure at the pump outlet. These options were modeled as different scenarios in the model. An unexpected outcome from the selected option was used to reduce overall pumping costs by 12%.

The cooling water system consists of plate heat exchangers, horizontal centrifugal pumps, pressurizers, water polishing unit, and equipment that needs cooling; as well as the associated piping, valves and instrumentation. For this particular project, cooling water pressure at the equipment outlet is restricted within certain values for each area that needs cooling.

The steady-state analysis showed the outlet pressure at equipment PSB-129 (Figure 1) was 0.24 MPa-g (35 psig) which was higher than the limited value of 0.1 MPa-g (15 psig). Hence, the challenge was to analyze and reduce the outlet pressure below the maximum pressure limit. In order to reduce outlet pressure, the resistance in the return line had to be reduced.

The Scenario Manager tool enabled Arunkumar to model & check various options to reducing outlet pressure under a single parent scenario. Below are the possible options he determined could reduce the outlet pressure:

- Option 1:  
Shifting of heat exchanger to downstream of pumps
- Option 2:  
Increased line size of cooling water return line
- Option 3:  
Use of booster pumps at outlet of PSB-129
- Option 4:  
Shifting of heat exchanger and using a booster pump

---

*Larsen & Toubro is a major technology, engineering, construction, manufacturing and financial services conglomerate, with global operations. L&T addresses critical needs in key sectors - Hydrocarbon, Infrastructure, Power, Process Industries and Defence - for customers in over 30 countries around the world.*

Option 4 combined Option 1 & Option 3 and reduced outlet pressure to 0.05 MPag (7 psig), which was within the allowed 0.1 MPag (15 psig). However, it required them to add a booster pump to work with the existing three primary cooling water pumps in order to meet the requirements at PSB-129.

Adding a booster pump to the design resulted in saving overall pumping cost (Figure 2):

- 11% reduction in capital pump cost compared to initial design
- 12% reduction in pump operating cost/day compared to initial design

Using AFT Fathom, L&T construction was able to successfully meet client requirements and reduce their operational costs.

Figure 1 - AFT Fathom model of the full water cooling system. In total, the system supports approximately 100 loops using 105 heat exchangers.

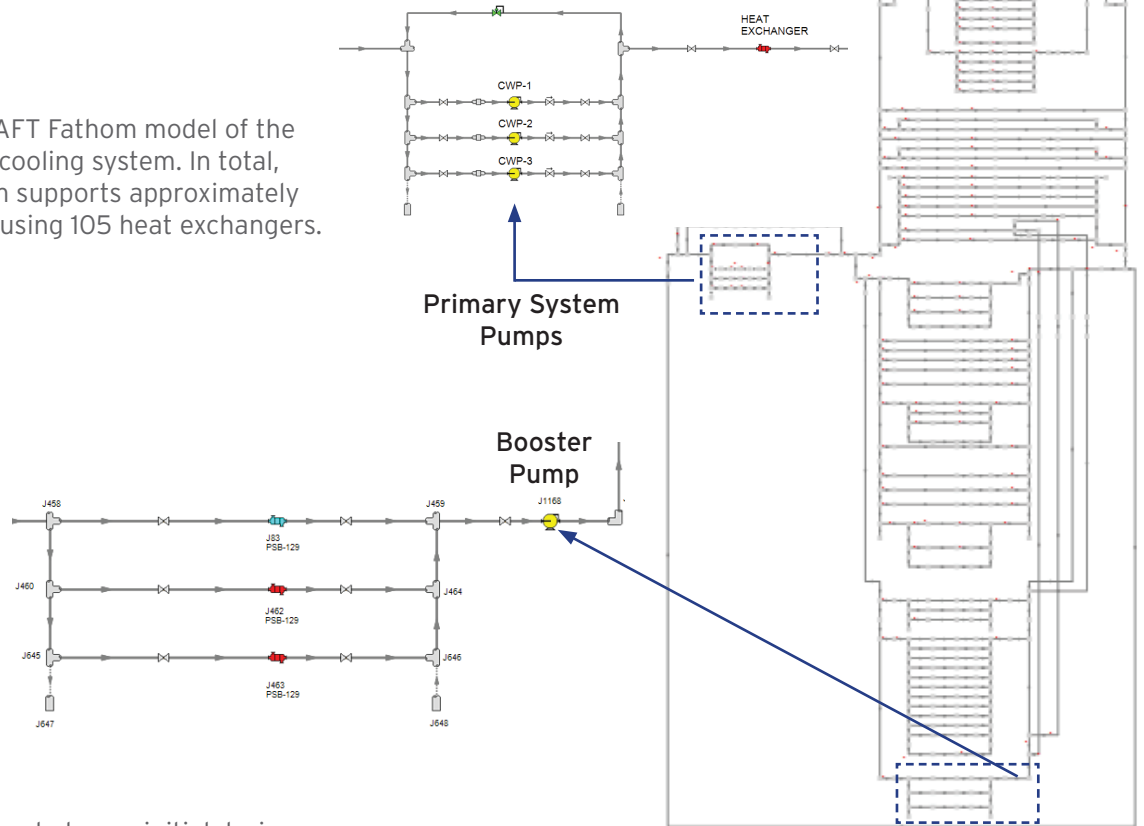


Figure 2 - Cost variance between initial design condition and design with Option 4.

Original Design - With Excessive Pressure				
Pump	Q m3/hr (gpm)	Head m (ft)	Pump Capital Cost USD	Pump Operation Cost USD/day
CWP-1, CWP-2	1,675 (7,375)	91 (299)	\$87,578 each	\$2,190 each
<b>Total Cost</b>			<b>\$175,156</b>	<b>\$4,380</b>

Final Design - Option 4				
Pump	Q m3/hr (gpm)	Head m (ft)	Pump Capital Cost USD	Pump Operation Cost USD/day
CWP-1, CWP-2	1,675 (7,375)	80 (263)	\$76,751 each	\$1,910 each
Booster Pump	67.5 (297)	11 (36)	\$1,912	\$11
<b>Total Cost</b>			<b>\$155,413</b>	<b>\$3,831</b>